

MODULAR PSA NITROGEN GENERATORS

NIMOS S9

Performance at inlet pressure: **7,5 bar (g)**

| | LP | | | | | HP | | | | |
|---|--------------|--------------|-------------|-------------|-------------|-------------|-------------|-------------|-------------|-------------|
| Nitrogen purity rate | 95 % | 97 % | 98 % | 99 % | 99,5 % | 99,9 % | 99,95 % | 99,99 % | 99,995 % | 99,999 % |
| Residual oxygen | 5 % | 3 % | 2 % | 1 % | 0,5 % | 0,1 % | 500 PPM | 100 PPM | 50 PPM | 10 PPM |
| Flow nm³/h ⁽¹⁾ | 131,1 | 104,8 | 90,0 | 71,8 | 58,7 | 38,5 | 32,3 | 21,7 | 18,2 | 12,2 |
| | - | - | - | - | - | - | - | - | - | - |

(1) Flow rates at standard atmospheric conditions (20°C/1000 mbar/0% RH)

Performance at inlet pressure: **9,5 bar (g)**

| | LP | | | | | HP | | | | |
|---|--------------|--------------|--------------|-------------|-------------|-------------|-------------|-------------|-------------|-------------|
| Nitrogen purity rate | 95 % | 97 % | 98 % | 99 % | 99,5 % | 99,9 % | 99,95 % | 99,99 % | 99,995 % | 99,999 % |
| Residual oxygen | 5 % | 3 % | 2 % | 1 % | 0,5 % | 0,1 % | 500 PPM | 100 PPM | 50 PPM | 10 PPM |
| Flow nm³/h ⁽¹⁾ | 157,2 | 125,7 | 107,9 | 86,0 | 70,4 | 46,2 | 38,8 | 26,0 | 21,9 | 14,7 |
| | - | - | - | - | - | - | - | - | - | - |

(1) Flow rates at standard atmospheric conditions (20°C/1000 mbar/0% RH)

⁽²⁾ Dew point at atmospheric pressure.

⁽³⁾ Necessary for guarantee performance of the nitrogen generator (integrated).

Feed Air Requirements

| | |
|--------------|--|
| Quality: | Class 1-4-1 ISO 8573.1 Solid < 0,1 µm Dew point < +3°C Oil < 0,01 mg/m ³ |
| Pressure: | 6 - 10 bar (g) |
| Temperature: | 0..... +45°C |

Nitrogen Specifications

| | |
|---------------------------------------|------------|
| Outlet pressure: | 0-9 bar(g) |
| Dew point: ⁽²⁾ | < 40°C |
| Nitrogen process tank: ⁽³⁾ | 500 lt |

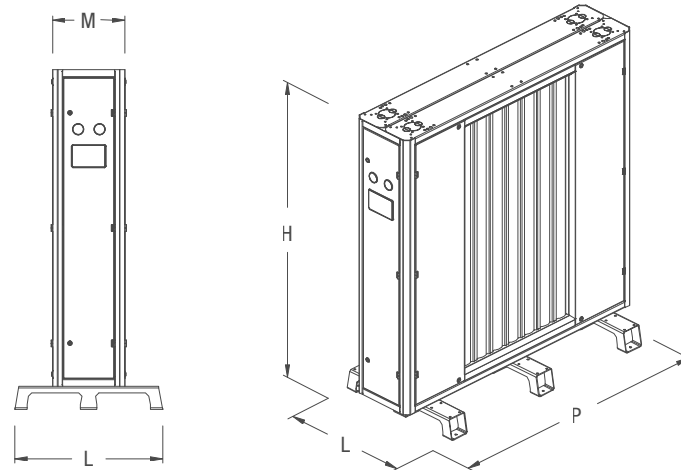
Power Requirements

| | |
|--------------------|--------------------|
| Power Supply: | 230 V / 50 - 60 Hz |
| Power Consumption: | max. 0,5 kW |



Dimensions & Weight

| | |
|---------|---------|
| M: | 440 mm |
| L: | 900 mm |
| P: | 1950 mm |
| H: | 2070 mm |
| Weight: | 900 kg |



Connections

| | |
|-------------------------------------|-----|
| Air inlet: | G1" |
| N ₂ outlet: | G1" |
| N ₂ to process tank: | G1" |
| N ₂ from process tank: | G1" |
| O ₂ enriched air outlet: | G3" |

STANDARD EQUIPMENT AND OPTIONS

- = standard equipment
- = option

Control panel

| | |
|----------------|---|
| 4 line display | ● |
|----------------|---|

Purity monitoring and control

| | |
|--|---|
| O ₂ Electrochemical Sensor 0-25 % | ○ |
| O ₂ Zirconium Sensor 0-25 % | ○ |
| O ₂ Zirconium Sensor 10-1000 ppm | ○ |
| Dew point sensor with indication on display | ○ |
| Flow meter with indication on display | ○ |

Valves and accessories

| | |
|---------------------------------------|---|
| Back pressure control valve kit | ○ |
| Compressed air pressure sensor | ● |
| Nitrogen buffer pressure sensor | ● |
| Process tank pressure sensor | ● |
| Exhaust silencer | ● |
| Super exhaust silencer extern mounted | ○ |

Logging and data handling

| | |
|---|---|
| Analog output 4-20mA (O ₂ level) | ● |
| Modbus RTU | ● |
| Modbus RS485/USB serial converter | ○ |
| Profibus connection convert | ○ |
| Canbus connection convert | ○ |
| Ewon (webserver + sms alarm + data logging) | ○ |
| Digital remote control | ● |
| Extern alarm digital input | ● |

Necessary accessory

| | |
|-----------------------------------|--------|
| Process tank with all accessories | 500 lt |
|-----------------------------------|--------|

